

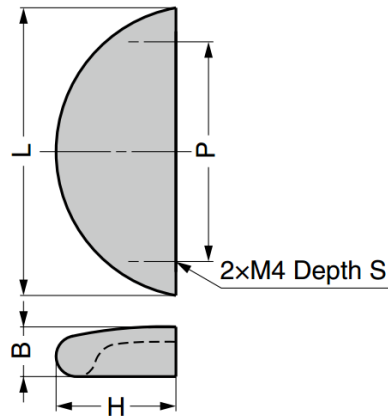
GRD Stainless Steel Pull

Features

- Easy to grasp

Parts Included

- Truss head screw M4 x 25 (SUS)



Part No.	Material	Finish	L	H	B	P	S
GRD-55SM	Stainless Steel 316	Polished	55	23	9.5	42	8
GRD-90SM			90	25.5	10.5	74	10

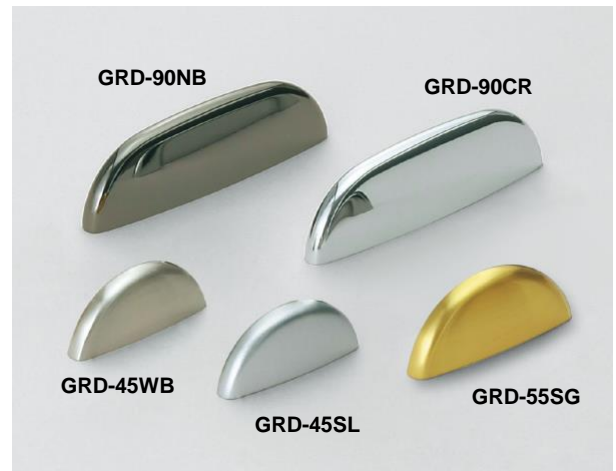
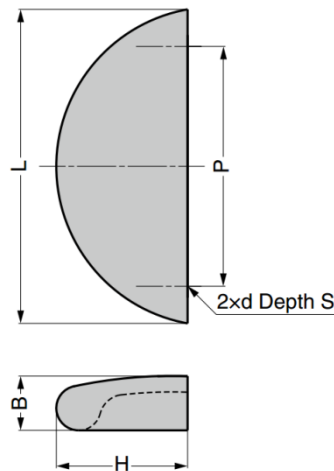
GRD Pull

Features

- Easy to grasp

Parts Included

- Truss head screw



Part No.	Material	Finish	L	P	H	B	d	S	Screw							
GRD-45CR	Zinc Alloy (ZDC)	Chrome	45	32	19	8.2	M3	7	M3 x 28							
GRD-45WB		White Bronze Plating														
GRD-45BN		Black Nickel														
GRD-45SG		Gold														
GRD-45SL		Paint / Silver														
GRD-55CR		Chrome								55	42	23	9.5	M4	8	M4 x 28
GRD-55WB		White Bronze Plating														
GRD-55BN		Black Nickel														
GRD-55SG		Gold														
GRD-90CR		Chrome	90	74	25.5	10.5	M4	9.5	M4 x 28							
GRD-90WB		White Bronze Plating														
GRD-90BN		Black Nickel														
GRD-90SG	Gold															